



WORK EFFORTLESSLY.

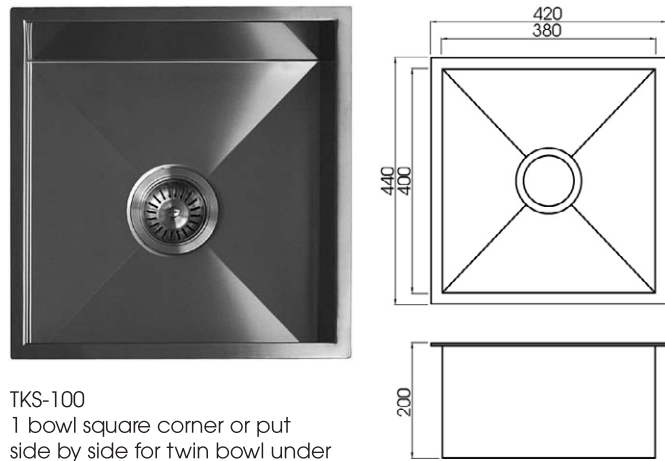


The kitchen sink is one of the most important elements in the space and if you want to ensure you make the right choice when creating your new kitchen then Tilo Tapware has the solution. The Tilo Tapware Q4 sinkware range caters for those who desire a high degree of functionality and want to create a feature for their new home or complement an existing style.

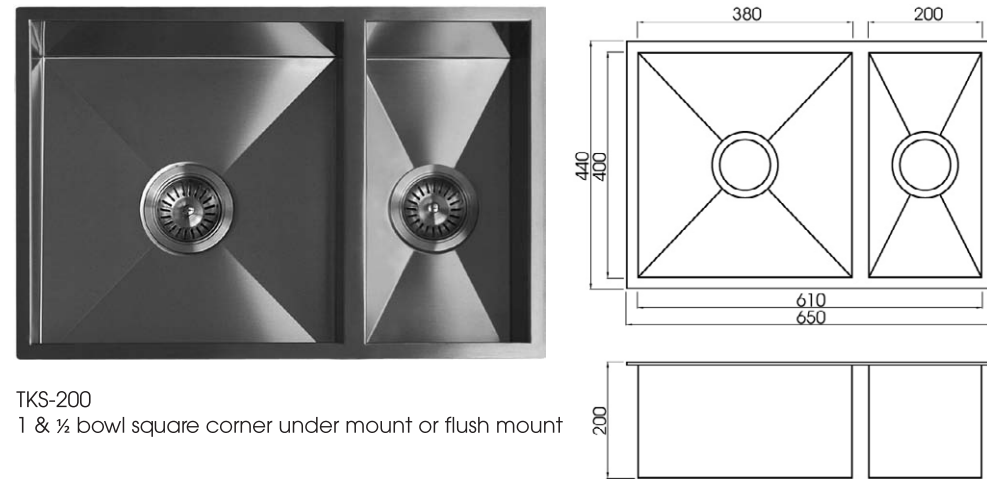
T: 03 9357 8456 | F: 03 9357 8414 | E: info@tilo.com.au

www.tilo.com.au

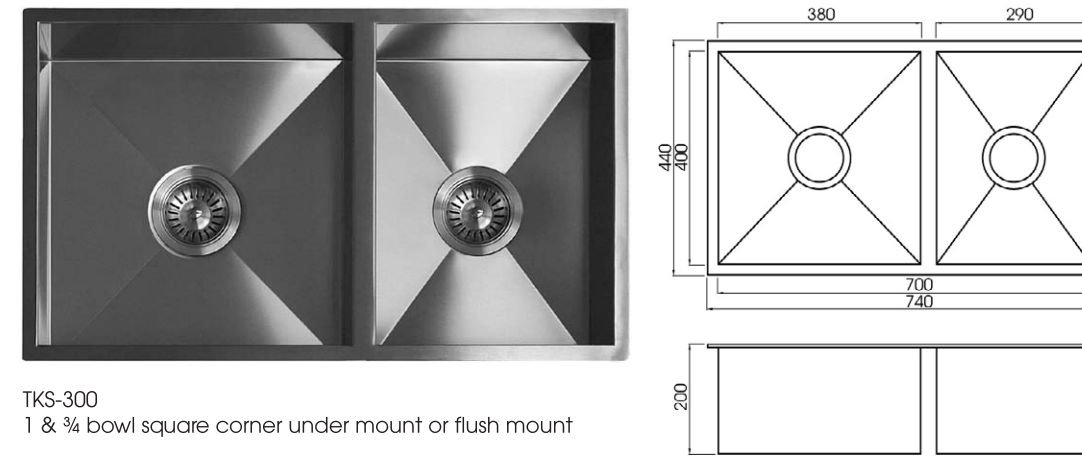
TILO
TAPWARE



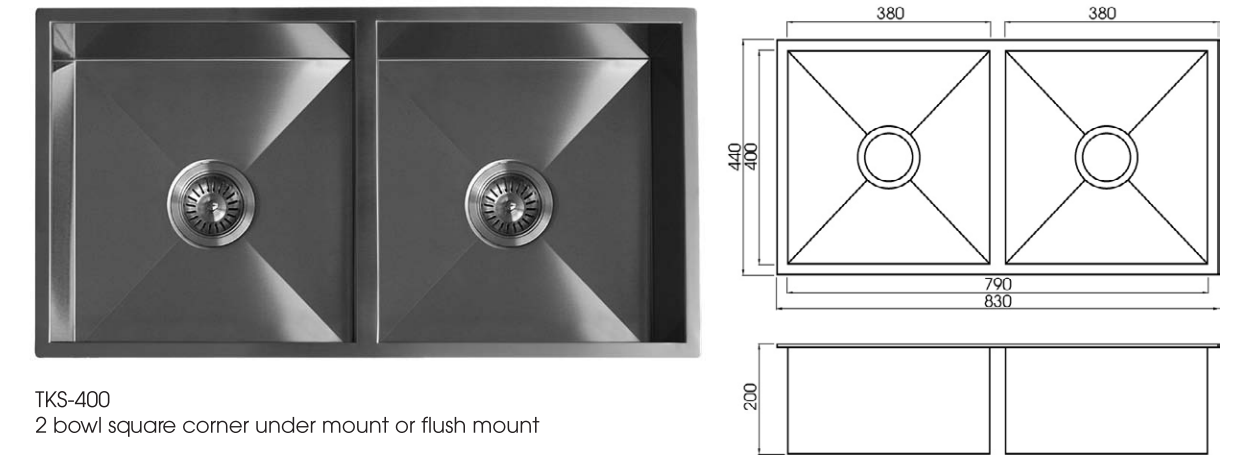
TKS-100
1 bowl square corner or put side by side for twin bowl under mount or flush mount



TKS-200
1 & ½ bowl square corner under mount or flush mount



TKS-300
1 & ¾ bowl square corner under mount or flush mount



TKS-400
2 bowl square corner under mount or flush mount



TKS-110 R
1 bowl radial corner with drainer under mount or inset



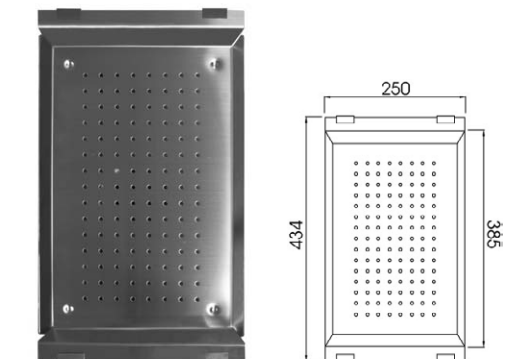
TKS-210 R
1 & ½ bowl radial corner with drainer under mount or inset



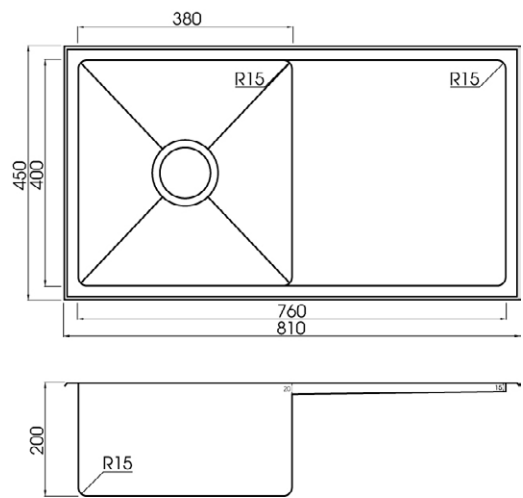
TKS-310 R
1 & ¾ bowl radial corner with drainer under mount or inset



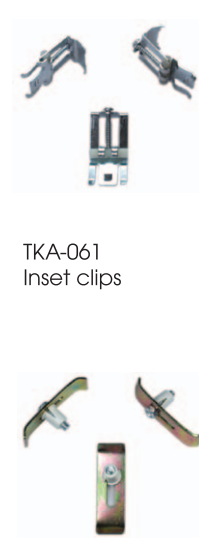
TKS-1000
1 large bowl square corner. Set in stone bench top for a unique feature



TKA-030
Accessory drain tray

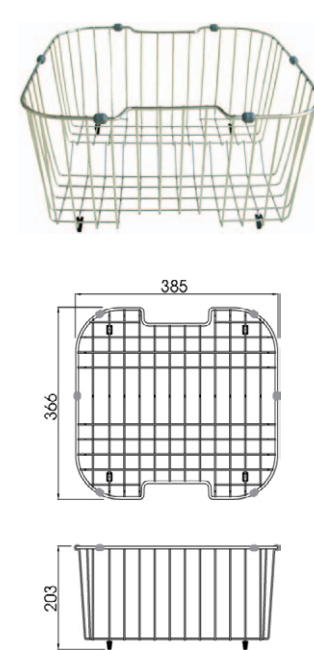
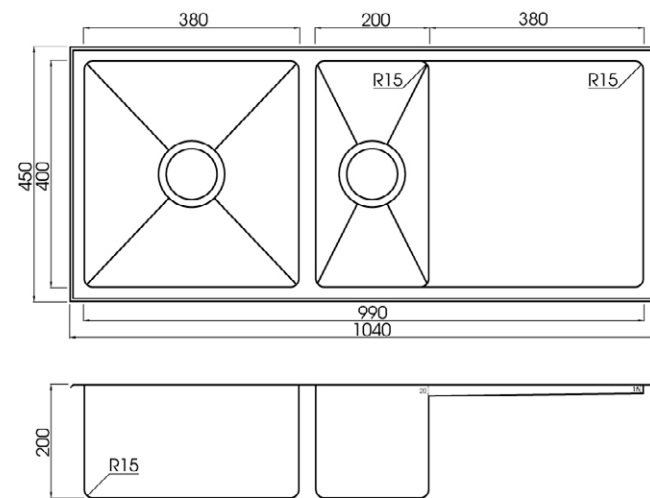


TKS-110
1 bowl square corner with drainer under mount or flush mount (not pictured) also available.

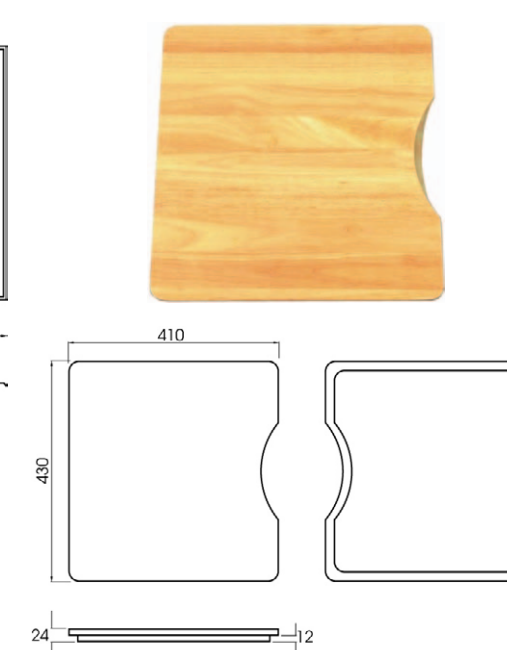
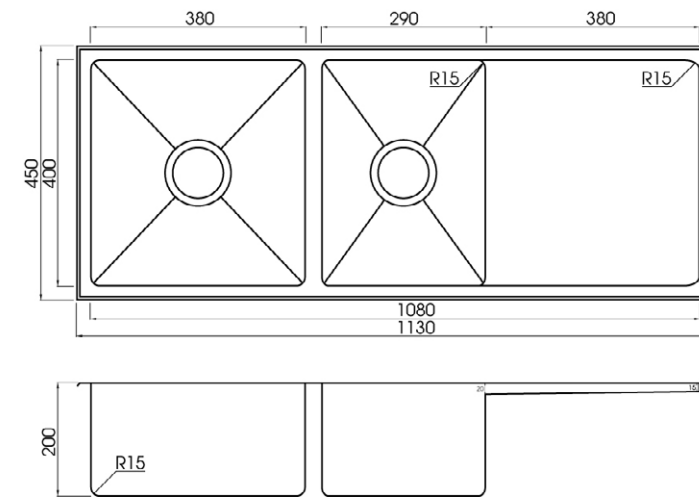


TKA-061
Inset clips

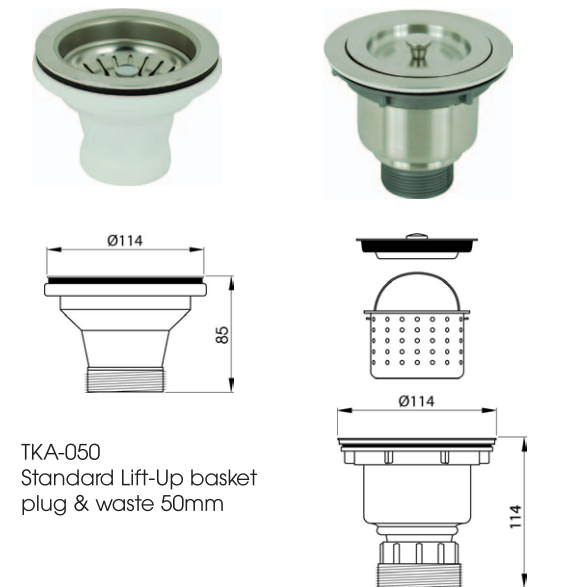
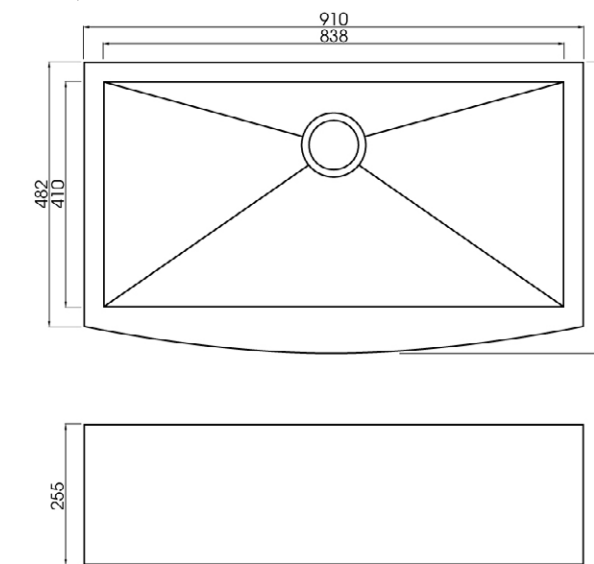
TKA-060
Undermount clips



TKA-020
Wire dish rack 304 Stainless steel to suit above Q4 Sinks



TKA-010
Chopping board rebated to suit above Q4 Sinks



TKA-050
Standard Lift-Up basket plug & waste 50mm

TKA-051
Lift-Out basket deluxe plug & waste with 50mm adaptor

The inspiring new range of Q4 sinks come with the added assurance you've come to expect from Tilo, the versatility of flush, under or inset mounting, a range of practical accessory options and backed with a 25 year manufacturer's warranty. See your local kitchen and bathroom retailer for sales and advice.

Q4 sinks are fabricated from 1.2 or 1.5 mm 304 stainless steel and have sound deadening rubber pads and an anti-condensation coating. This aids in the reduction of noise, provides insulation and prevents the build up of moisture in the cavity below.

25 year warranty on sinks only. 1 year on accessories not including chopping boards. Models & Specifications depicted may differ from actual product items.